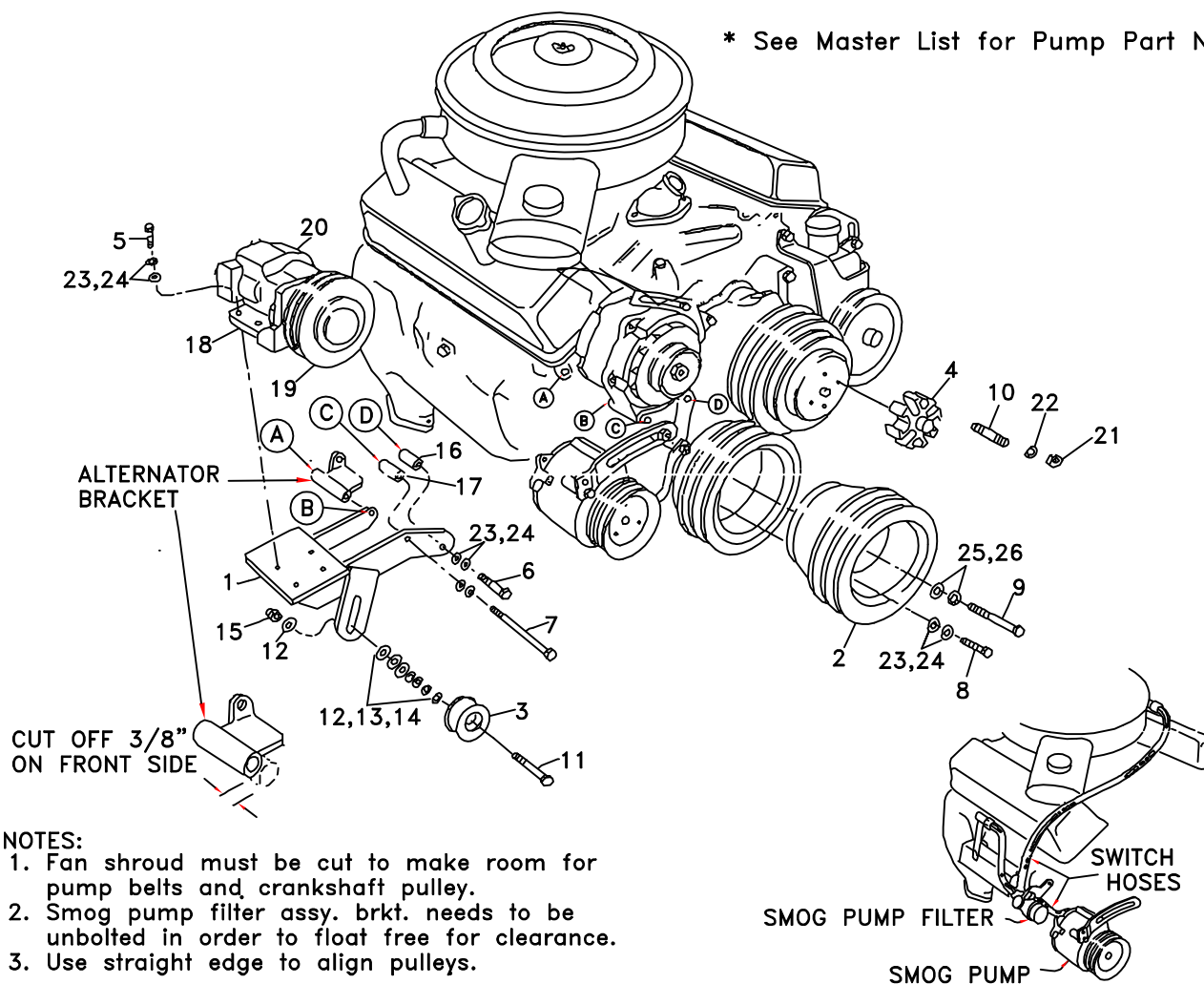


# DEWEZE

710003	Bracket Assy. (Inc. item 1)	Clutch Pump Kit	700003
710455	Bracket Bolt Pkg. (Inc. items 5-7,16,17,23,24)	Make	Chevy
710429	Pulley Bolt Pkg. (Inc. items 8,9,23-26)	Engine Size	350
710355	Idler Bolt Pkg. (Inc. items 11-15)	Fuel	Gas
700182	Fan Spacer Bolt Pkg. (Inc. items 10,21,22)	Year	1984
		Options	W/Smog
		Revised	12-10-93

ITEM	QUAN	PART #	DESCRIPTION
1.	1	710003	Pump Mounting Bracket
2.	1	740010	Crankshaft Pulley
3.	1	740040	Idler Pulley
4.	1	700173	Fan Spacer
5.	4	110425	3/8" X 1 1/4" NC Bolt
6.	1	110436	3/8" X 2 1/2" NC Bolt
7.	1	110524	3/8" X 7 1/2" NC Bolt
8.	3	110498	3/8" X 3" NF Bolt
9.	1	110502	7/16" X 4 1/2" NF Bolt
10.	4	110056	5/16" X 2 3/4" Stud Bolt
11.	1	110477	5/8" X 3" NC Bolt
12.	4	110650	5/8" Flat Washer
13.	2	510255	5/8" Machine Bushing(10 ga.)
14.	2	510256	5/8" Machine Bushing(14 ga.)
15.	1	110639	5/8" Lock Nut
16.	1	710167	Spacer, 1.225"
17.	1	710168	Spacer, 1.100"
18.	1	710353	Footmount
19.	1	740037	Clutch, Standard
19.	1	740038	Clutch, Heavy Duty
20.	1	*	Pump
21.	4	110608	5/16" NC Nut
22.	4	110674	5/16" Lock Washer
23.	9	110672	3/8" Lock Washer
24.	9	110676	3/8" Flat Washer
25.	1	110670	7/16" Flat Washer
26.	1	110671	7/16" Lock Washer
27.	2	740056	V-Belts, Gates A60

\* See Master List for Pump Part No.



## NOTES:

1. Fan shroud must be cut to make room for pump belts and crankshaft pulley.
2. Smog pump filter assy. brkt. needs to be unbolted in order to float free for clearance.
3. Use straight edge to align pulleys.

Ⓐ Denotes bolt holes in engine to locate corresponding holes in Pump Brkt.