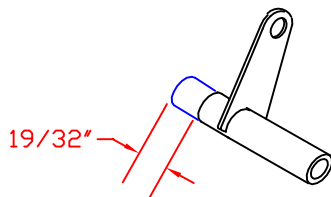


DEWEZE

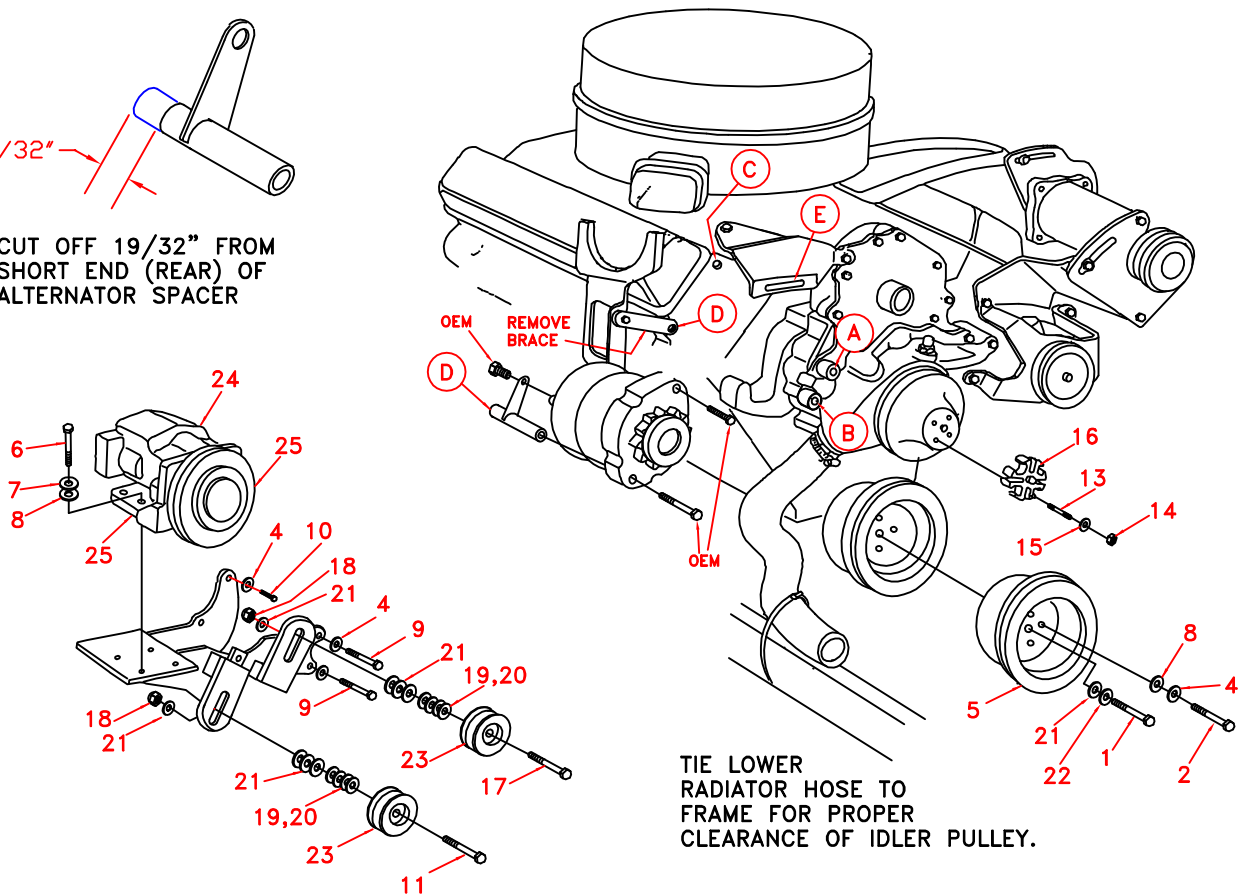
710011	Bracket Assy.(Inc. item 12)		Clutch Pump Kit	700015
710465	Bracket Bolt Pkg. (Inc. items 4,6-10)		Make	Chevy
710434	Pulley Bolt Pkg. (inc items 1,2,4,8,21)		Engine Size	6.2L
710355	Idler Bolt Pkg. (Inc. items 11,18-21)		Fuel	Diesel
710357	Idler Bolt Pkg. (Inc. items 17-21)		Year	1982-85.5
700186	Fan Spacer Bolt Pkg. (inc. items 13-15)		Options	
			Revised	11-30-93

ITEM	QUAN	PART #	DESCRIPTION
1.	1	110490	16 mm X 70 mm X 1.5 thd
2.	4	110488	10 mm X 45 mm X 1.5 thd
3.			-----
4.	7	110671	7/16" Lock Washer
5.	1	740007	Crankshaft Pulley
6.	4	110425	3/8" X 1 1/4" NC Bolt
7.	4	110672	3/8" Lock Washer
8.	8	110676	3/8" Flat Washer
9.	2	110487	10 mm X 120 mm X 1.5 thd
10.	1	110479	10 mm X 30 mm X 1.5 thd
11.	1	110477	5/8" X 3" NC Bolt
12.	1	710011	Pump mounting bracket
13.	4	710350	8 mm X 65 mm Stud
14.	4	110643	8 mm Nut
15.	4	110674	5/16" Lock Washer
16.	1	700177	Fan Spacer
17.	1	710609	5/8" X 3 1/2" NC Shaved HD Bolt
18.	2	110639	5/8" Lock Nut
19.	4	110668	5/8" Machine Bushing (10 ga.)
20.	4	110669	5/8" Machine Bushing (14 ga.)
21.	13	110650	5/8" Flat Washer
22.		110655	5/8" Lock Washer
23.	2	740040	Idler Pulley
24.	1	*	Pump
25.	1	740037	Clutch, Standard
		740038	Clutch, Heavy Duty
26.	1	710353	Footmount
27.	1	110420	3/8" X 1" NC Bolt
28.	1	740057	V-Belt, Gates A61

* See Master List for Pump Part No.



CUT OFF 19/32" FROM SHORT END (REAR) OF ALTERNATOR SPACER



(A) Denotes bolt holes in engine to locate corresponding holes in Pump Brkt.