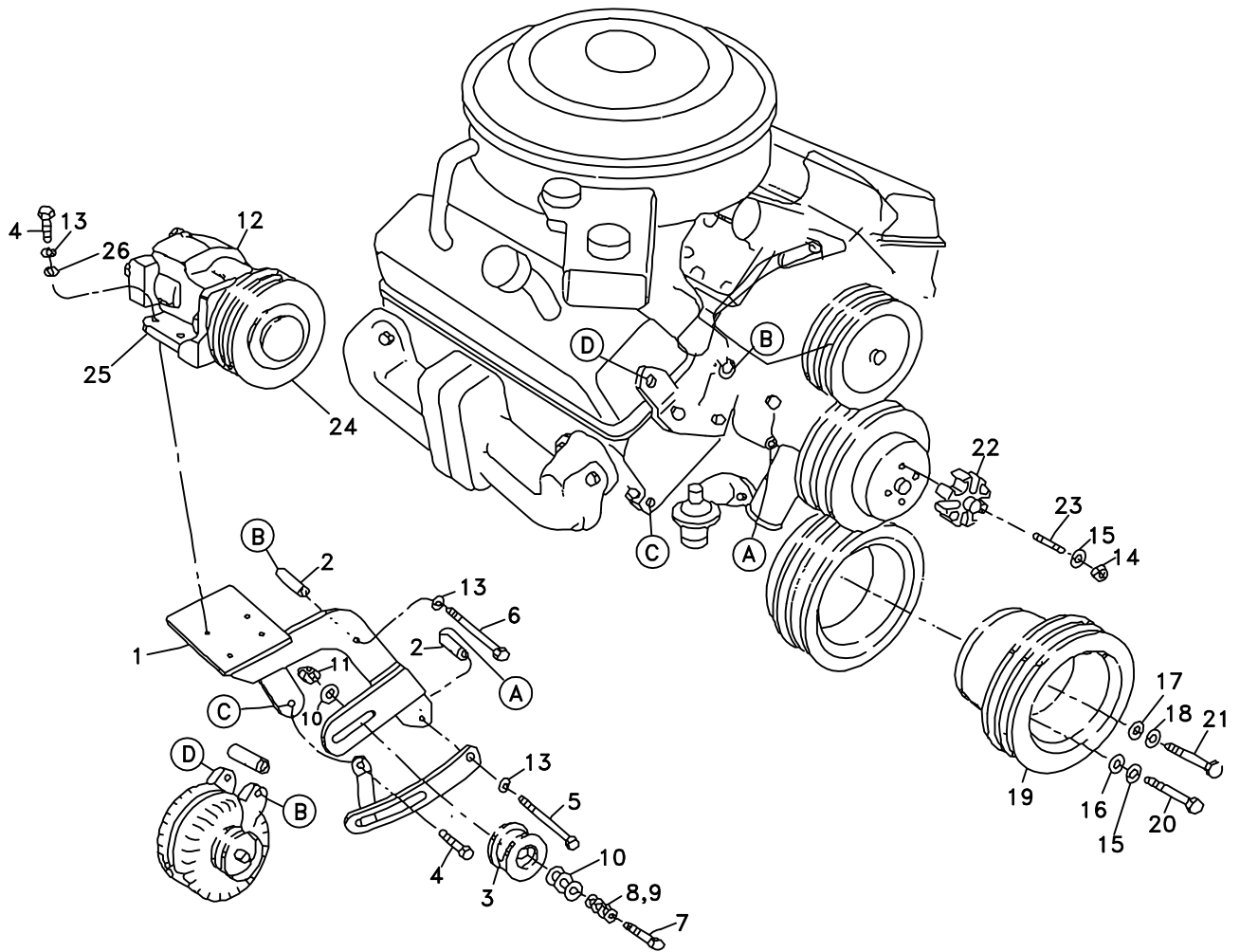


# DEWEZE

|        |  |                 |         |
|--------|--|-----------------|---------|
| 710016 | Bracket Assy. (Inc. item 1)                | Clutch Pump Kit | 700040  |
| 710486 | Bracket Bolt Pkg. (Inc. items 2,4-6,13,26) | Make            | Dodge   |
| 710449 | Pulley Bolt Pkg. (Inc. items 15-18,20,21)  | Engine Size     | 318/360 |
| 710355 | Idler Bolt Pkg. (Inc. items 7-11)          | Fuel            | Gas     |
| 700190 | Fan Spacer Bolt Pkg. (Inc. items 14,15,23) | Year            | 1973-86 |
|        |  | Options         | A/C     |
|        |  | Revised         | 12-3-93 |

| ITEM | QUAN | PART # | DESCRIPTION                  |     |    |        |                       |
|------|------|--------|------------------------------|-----|----|--------|-----------------------|
| 1.   | 1    | 710016 | Pump Mounting Bracket        | 15. | 10 | 110674 | 5/16" Lock Washer     |
| 2.   | 2    | 710242 | Spacer, 1.500"               | 16. | 6  | 110665 | 5/16" Flat Washer     |
| 3.   | 1    | 740040 | Idler Pulley                 | 17. | 1  | 110677 | 3/4" Flat Washer      |
| 4.   | 5    | 110425 | 3/8" X 1 1/4" NC Bolt        | 18. | 1  | 110648 | 3/4" Lock Washer      |
| 5.   | 1    | 110518 | 3/8" X 7 1/4" NC Bolt        | 19. | 1  | 740011 | Crankshaft Pulley     |
| 6.   | 1    | 110519 | 3/8" X 6 1/2" NC Bolt        | 20. | 6  | 110492 | 5/16" X 5" NC Bolt    |
| 7.   | 1    | 110477 | 5/8" X 3" NC Bolt            | 21. | 1  | 710408 | 3/4" X 6 1/2" NF Bolt |
| 8.   | 2    | 110668 | 5/8" Machine Bushing(10 ga.) | 22. | 1  | 700171 | Fan Spacer            |
| 9.   | 2    | 110669 | 5/8" Machine Bushing(14 ga.) | 23. | 4  | 710344 | 5/16" X 2" Stud Bolt  |
| 10.  | 4    | 110650 | 5/8" Flat Washer             | 24. | 1  | 740037 | Clutch, Standard      |
| 11.  | 1    | 110639 | 5/8" Lock Nut                | 24. | 1  | 740038 | Clutch, Heavy Duty    |
| 12.  | 1    | *      | Pump                         | 25. | 1  | 710353 | Footmount             |
| 13.  | 7    | 110672 | 3/8" Lock Washer             | 26. | 4  | 110676 | 3/8" Flat Washer      |
| 14.  | 4    | 110623 | 5/16" NF Nut                 | 27. | 2  | 740064 | V-Belt, Gates A68     |

\* See Master List for Pump Part No.



(A) Denotes bolt holes in engine to locate corresponding holes in Pump Brkt.