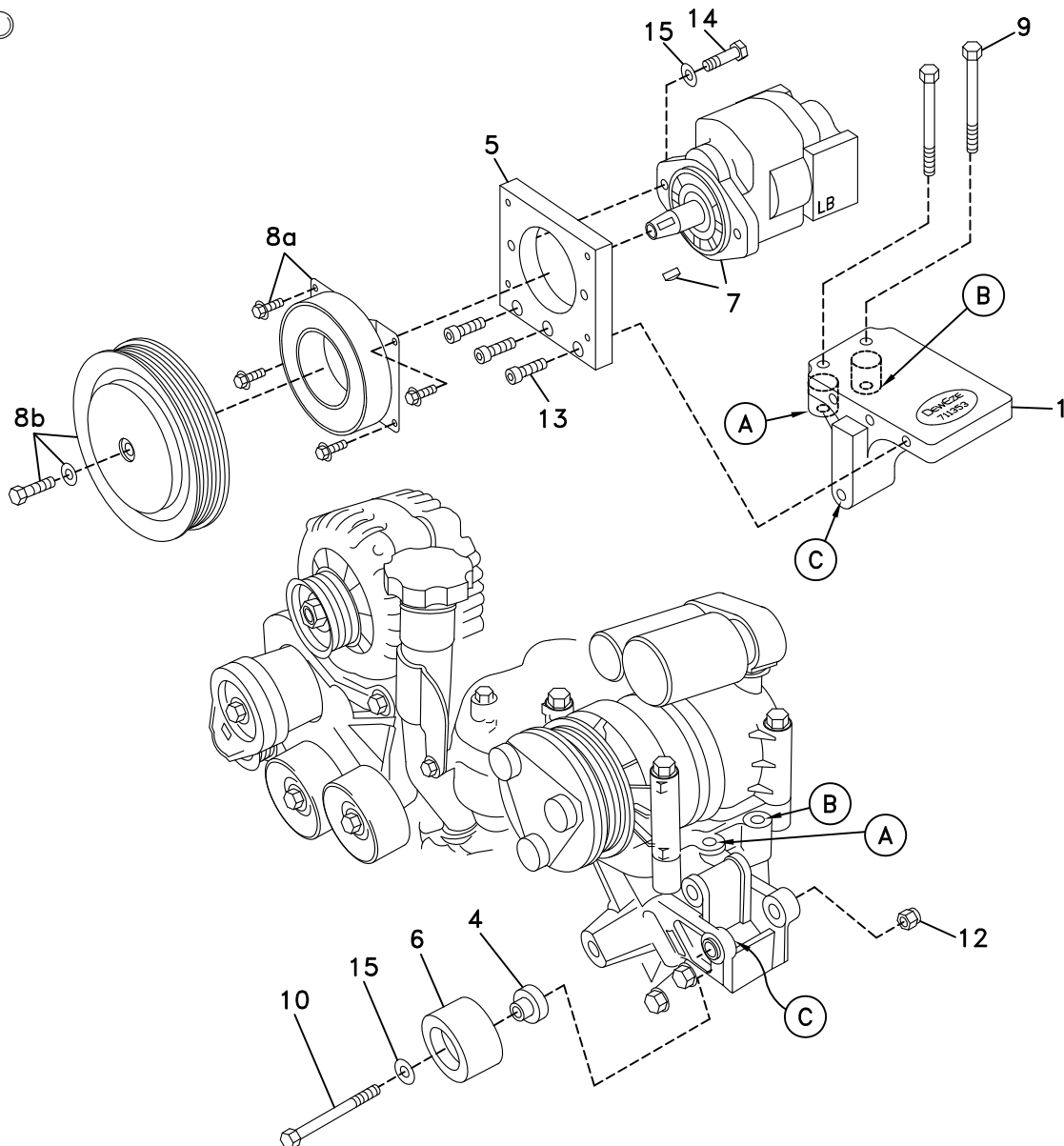


Bracket Assy.	None
Bolt Packages:	
Bracket	716004 (Inc. items 9,13)
Pulley	None
Idler	716003 (Inc. items 4, 10, 12, 15)
Tensioner	None

Make	Chevrolet
Engine	6.6L Duramax
Fuel	Diesel
Year	2002 - 2005
Equipment	Turbo, A/C
Revised	F 7-23-09

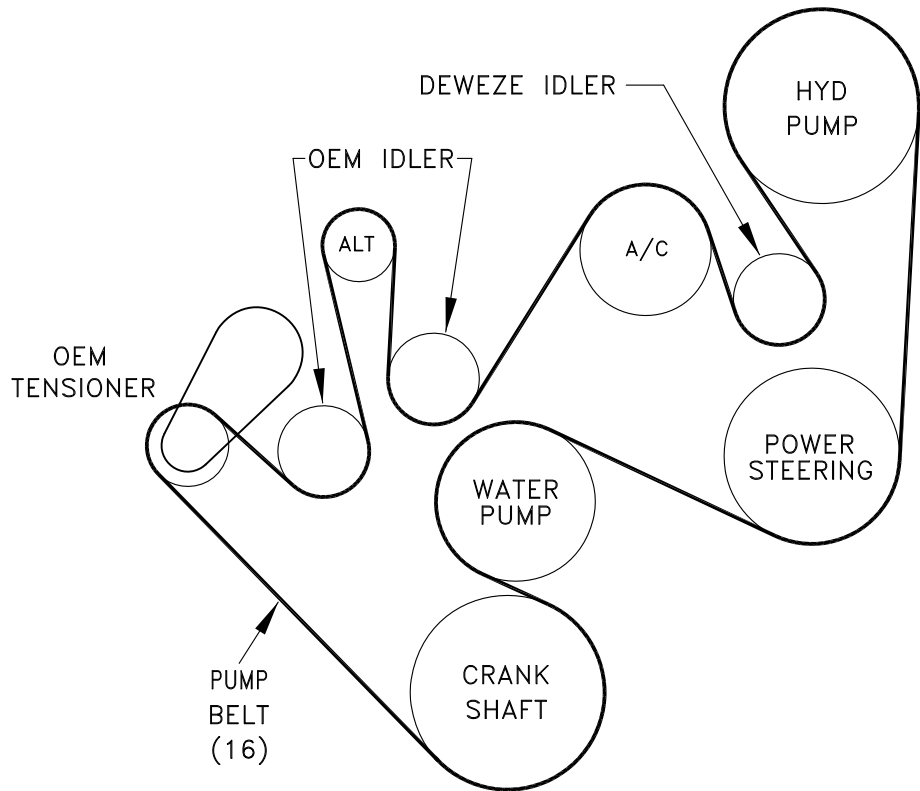
Item	Part No.	Description
1.	710099	Pump mount bracket
2.	----	----
3.	110188	M10 x 80 x 1.5 Socket head bolt
4.	711009	Idler bushing
5.	710936	Pump plate
6.	740242	Idler pulley
7.	*	Pump / Rear port
8.	742016	Clutch
9.	110217	M10 x 70 x 1.5 Bolt
10.	110487	M10 x 120 x 1.5 Bolt
11.	-----	-----
12.	110101	M10 x 1.5 Lock nut
13.	110395	3/8-16 x 1 Socket head bolt
14.	110425	3/8-16 x 1 1/4 Bolt
15.	110676	3/8 Flat washer
16.	740359	Belt/Poly Cog 20-1605, 142"

FIG. 1



(A),(B),(C)... Denotes bolt holes in engine to locate corresponding holes in Pump Brkt.

FIG. 2
BELT DIAGRAM



DewEze

Clutch Pump Kit

INSTALLATION INSTRUCTIONS

#700389
Chevy 6.6L
with A/C
'A' mount
2002-05

1. Disconnect the battery.
2. Remove the OEM belt.
3. Bolt the pump plate (5) to the base plate (1) with three 3/8 x 1 socket head bolts (13). Torque to 20 ft-lb.
4. Push the idler bushing (4) into the back (the side without the snap ring) of the idler pulley (6). Insert the M10 x 120 bolt (10) through a 3/8 flat washer (15), idler pulley and bushing.
5. Insert the two M10 x 70 bolts (9) through the holes in the notched end of the base plate (1) and into the air conditioner mounting bracket at locations A and B. Thread the M10 x 120 bolt (10) into the hole at Location C and through the bottom lug of the pump bracket. Torque all bolts evenly to 25 ft-lb. Secure bottom bolt with the M10 lock nut (12).
6. Bolt pump (7) onto pump plate (5) with two 3/8 x 1 1/4 bolts (14) and two 3/8 flat washers (15). Torque to 20 ft-lb. Attach coil (8a) with four 1/4 x 1/2 flange bolts supplied with clutch. Torque these to 6 ft-lb. Attach clutch pulley (8b) to pump shaft with 5/16NF x 1 1/4 bolt and heavy washer supplied with clutch. Torque to 14 ft-lb. Burnish according to clutch manufacturer's instructions.
7. Install the belt (16) as shown in the belt diagram (Fig. 2).
8. Connect the battery.
9. Run the engine and check for any clearance or alignment problems. Adjust as needed.