

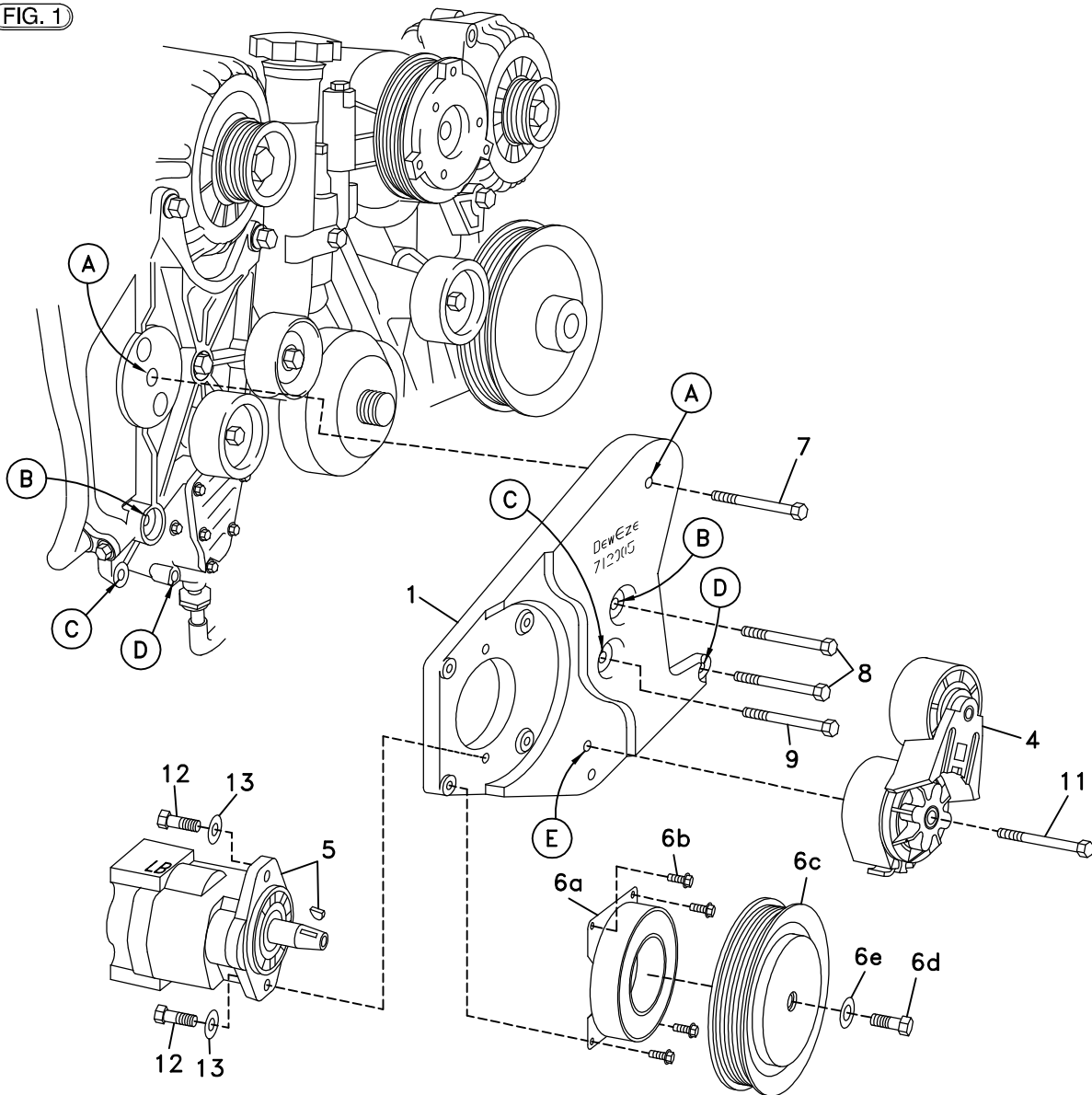
Bracket Assy.	None
Bolt Packages:	
Bracket	711426 (Inc. items 7 - 9)
Pulley	None
Idler	None
Tensioner	None

Make	Chevrolet 4500, 5500	
Engine	6.6L	
Fuel	Diesel	
Year	2002-	
Equipment	Turbo, A/C	
	Dual alternator	
Revised	B	1-7-03

Item	Part No.	Description	Item	Part No.	Description
1.	711425	Pump mount bracket	8.	110113	M10 x 90 x 1.5 Bolt
2.	----	----	9.	110559	M8 x 40 x 1.25 Bolt
3.	----	----	10.	----	----
4.	743003	Tensioner	11.	110567	M10 x 80 x 1.5 Bolt
5.	*	Pump / rear port	12.	110425	3/8-16 x 1 1/4 Bolt
6.	740144	Clutch	13.	110676	3/8 Flat washer
7.	110488	M10 x 45 x 1.5 Bolt	14.	740361	Belt / 6 rib

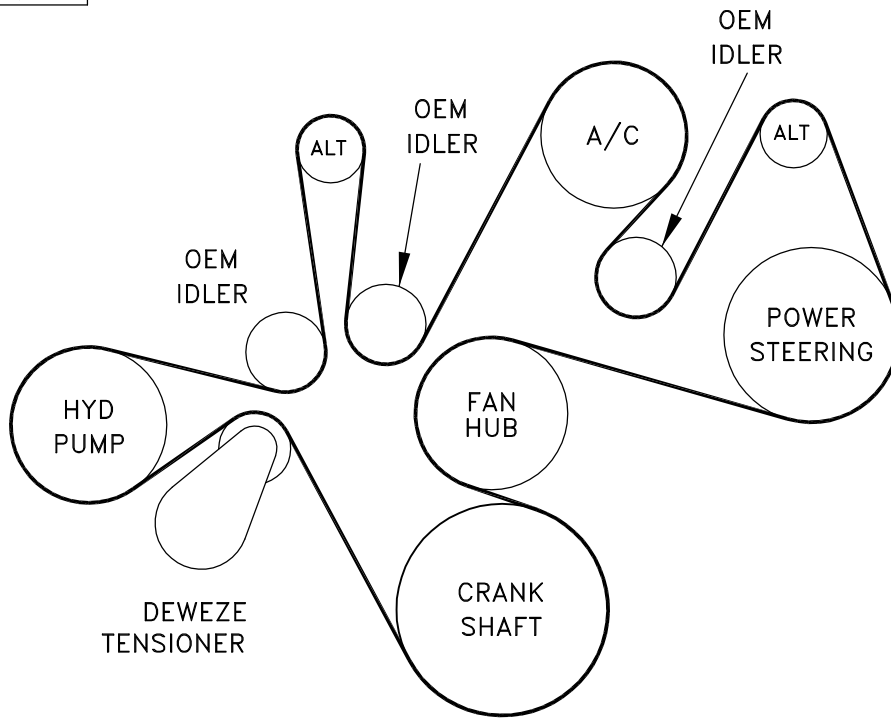
* MAXIMUM 9 GPM PUMP. SEE MASTER LIST FOR PART NUMBER

FIG. 1



(A),(B),(C)... Denotes bolt holes in engine to locate corresponding holes in Pump Brkt.

FIG. 2
BELT DIAGRAM



DewEze

Clutch Pump Kit

Clutch Pump Kit
700396
CHEVY
6.6L
'A' mount
2002-

INSTALLATION INSTRUCTIONS

1. Disconnect the battery.
2. Remove the OEM tensioner.
3. Remove the OEM bolts from Locations B and D. Remove the OEM bolt and clamp from Location C. Push the wiring cable back out of the way so it will clear the bracket when it is bolted on.
4. Bolt pump (5) to pump plate (1) with two 3/8 x 1 1/4 bolts (12) and two 3/8 flat washers (13).
5. Mount the bracket and pump to the engine using the M10 x 45 bolt (7) at Location A, two M10 x 90 bolts (8) at Locations B and D, and the M8 x 40 bolt (9) at Location C.
6. Mount the DewEze tensioner (4) at Location E using the M10 x 80 bolt (11).
7. Mount the clutch coil (6a) to the pump bracket with four 1/4 x 1/2 flange bolts (6b). Mount the clutch pulley (6c) to the pump shaft with the 5/16 x 1 1/4 bolt (6d) and heavy flat washer (6e) making sure the key is in place on the shaft.
8. Install the belt (14) as shown in the diagram (Fig. 2).
9. Run the engine and check for any clearance or alignment problems. Adjust as needed.