

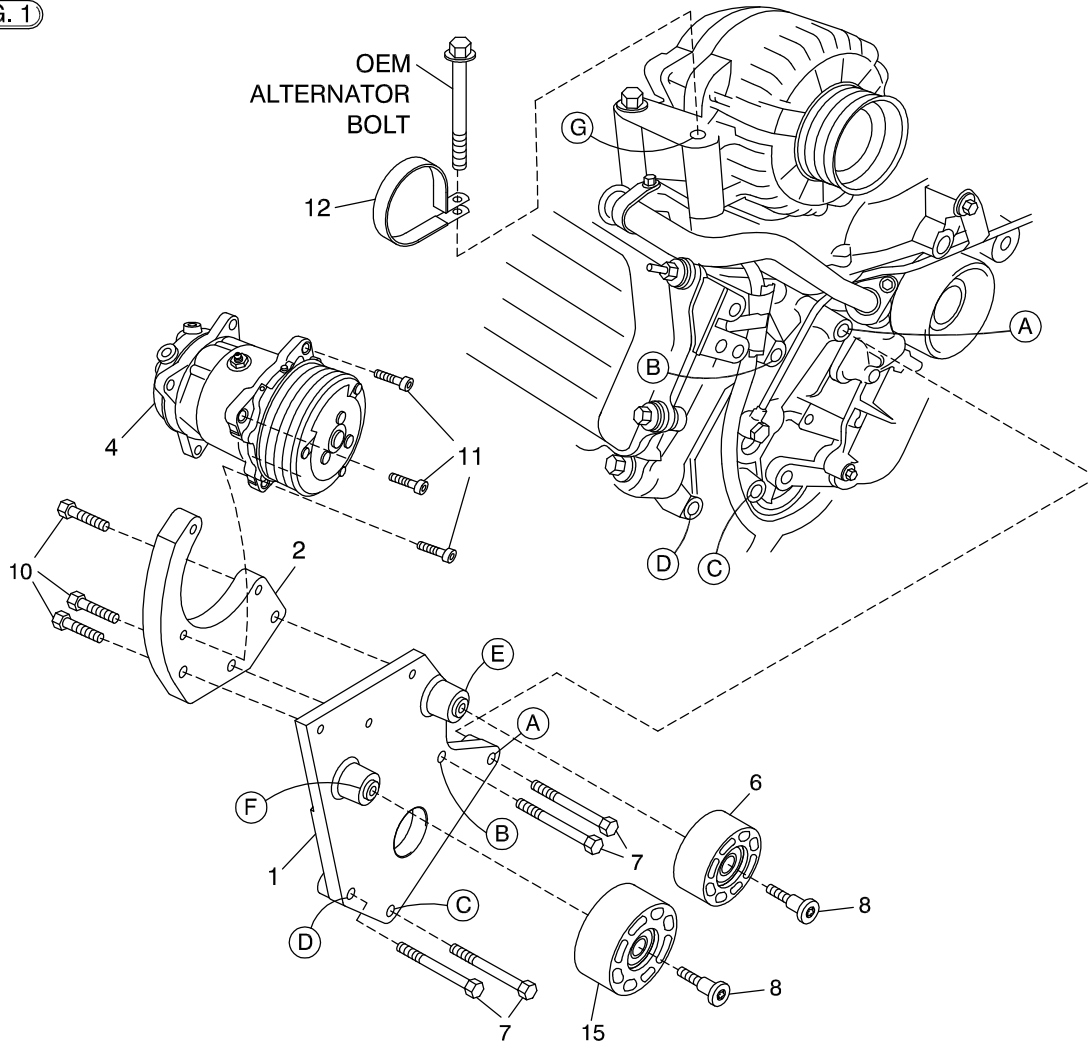
Bracket Assy.	None
Bolt Packages:	
Bracket	711922 (Inc. items 7, 10-13)
Pulley	None
Idler	None
Tensioner	None

Make	Ford
Engine	6.0L
Fuel	Diesel
Year	2003 - 2007
Equipment	Turbo, w/ and w/o A/C
Revised	NC 6-3-08

Item	Part No.	Description
------	----------	-------------

1.	711920	Engine bracket	9.	-----	-----
2.	711921	Compressor bracket	10.	110435	3/8-16 x 1 1/2 Bolt
3.	700272	Intercooler tube	11.	110295	M10 x 1.5 x 30 Socket head bolt
4.	*	Compressor (supplied by customer)	12.	102024	Vinyl clamp, 2 1/2"
5.	742009	Clutch	13.	110672	3/8 Lock washer
6.	740151	Idler pulley, 3.00" Dia.	14.	740360	Belt, Poly-Cog 1490K8
7.	110488	M10 x 45 x 1.5 Bolt	15.	740373	Idler pulley, 3.40" Dia.
8.	110213	M10 x 40 Torx head shoulder bolt			

FIG. 1



(A),(B),(C)... Denotes bolt holes in engine to locate corresponding holes in Pump Brkt.

FIG. 2

COMPONENT PLACEMENT AND MODIFICATION

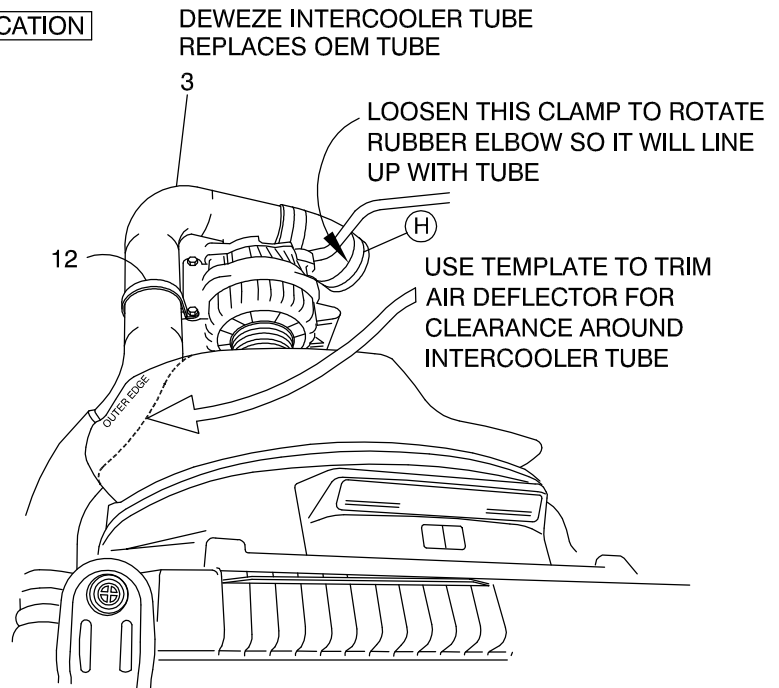


FIG. 3

BELT DIAGRAM

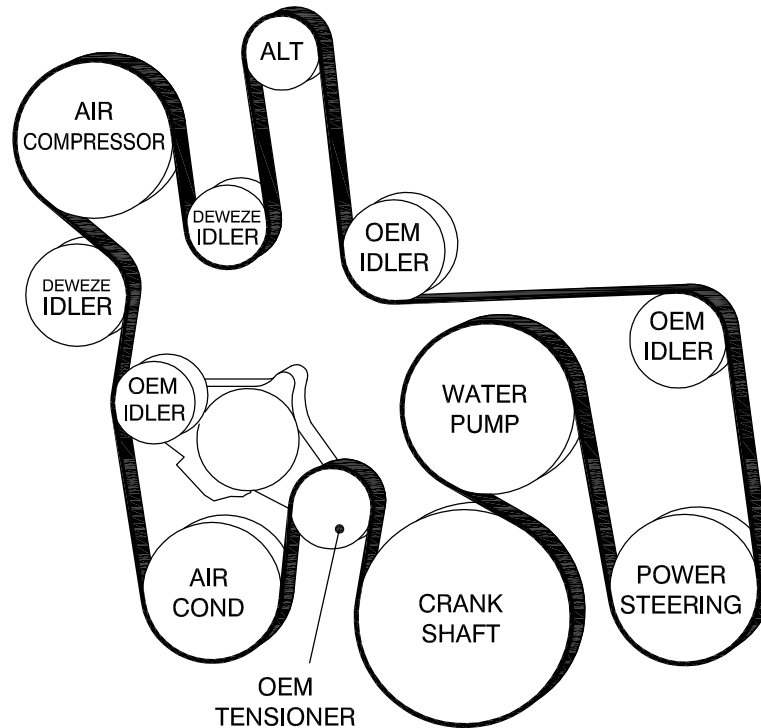


FIG. 4

TEMPLATE TO TRIM AIR DEFLECTOR SHIELD

INSTRUCTIONS:

1. Cut out template.
2. Lay template over area on air deflector shield marked in Figure 2 for removal.
3. Align outer edge of template with outer edge of air deflector shield.
4. Trace along inner edge of template with a marker.
5. Cut air deflector shield along the traced line. (A small cut-off wheel works well).
6. After installing intercooler tube check for adequate clearance. Trim further if necessary.
7. Keep plastic cut-out to serve as a template on future installs.

